

# MAESTRO™ PEDICURE SPA

## Specifications

**Dimensions:** 70.4" L (179 cm) x 36.2" W (92 cm) x 55" H (140 cm)

**Shipping Dimensions (Carton Size):** 75" L (191 cm) x 36" W (91.4 cm) x 55" H (140 cm) The Maestro ships fully assembled.

**Net Weight:** 310 lbs (141 kg)

**Shipping Weight without accessories:** 348 lbs (158 kg)

**Shipping Weight with accessories:** 396 lbs (180 kg)

**Client Weight Capacity:** 300 lbs (136 kg)

**Basin Capacity:** 7.5 US Gallons (28.4 liters)

**Power Requirements:** 120V AC, 15 Amp, 60HZ. A dedicated GFI protected outlet MUST be used.

**Construction:** Welded steel frame with cherry veneered wood panels. ABS cover panels.

**Basin:** Solid surface, pre-plumbed.

**Jet System:** Two (2) self contained NoPipe™ Jets; removable screens, no recirculating pipes.

**IMPORTANT: The Maestro Pedicure Spa MUST be installed by a licensed electrician and a licensed plumber in accordance with all national, state and local codes/regulations.**

### Plumbing:

Incoming: Hot/Cold supply lines required (1/2" ID), solenoid controlled, built-in fill sensor. Connections located on back of spa.

Discharge: Drain pump factory installed. (Standard) Wall drain required.

**NOTE:** If through floor installation is desired, refer to Plumbing Rough-in drawing. See Owners Manual for complete installation instructions.

**Massage:** Exclusive SoSound™ Acoustic Therapy relaxation system. Two (2) Sound Hearts™ embedded in chair.

Built-in MP3 player, Headphones included.

**Controls:** Technician's keypad: Fill, Jets, Sprayer, Clean and Drain. Also, Seat Forward/Backward and Tilt.

Armchair: Left Side: Seat Forward/Backward, Tilt and Exit.

Right Side: SoSound relaxation system.

All Controls are low voltage.

**Certification:** ETL Certified



**Limited Warranty\*:** Basin- 60 months from date of shipment from Continuum Footspas facility.

All other critical components and accessories - 12 to 24 months from date of shipment from Continuum Footspas facility.

**\*See Owner's Manual for complete details.**

### ACCESSORIES:

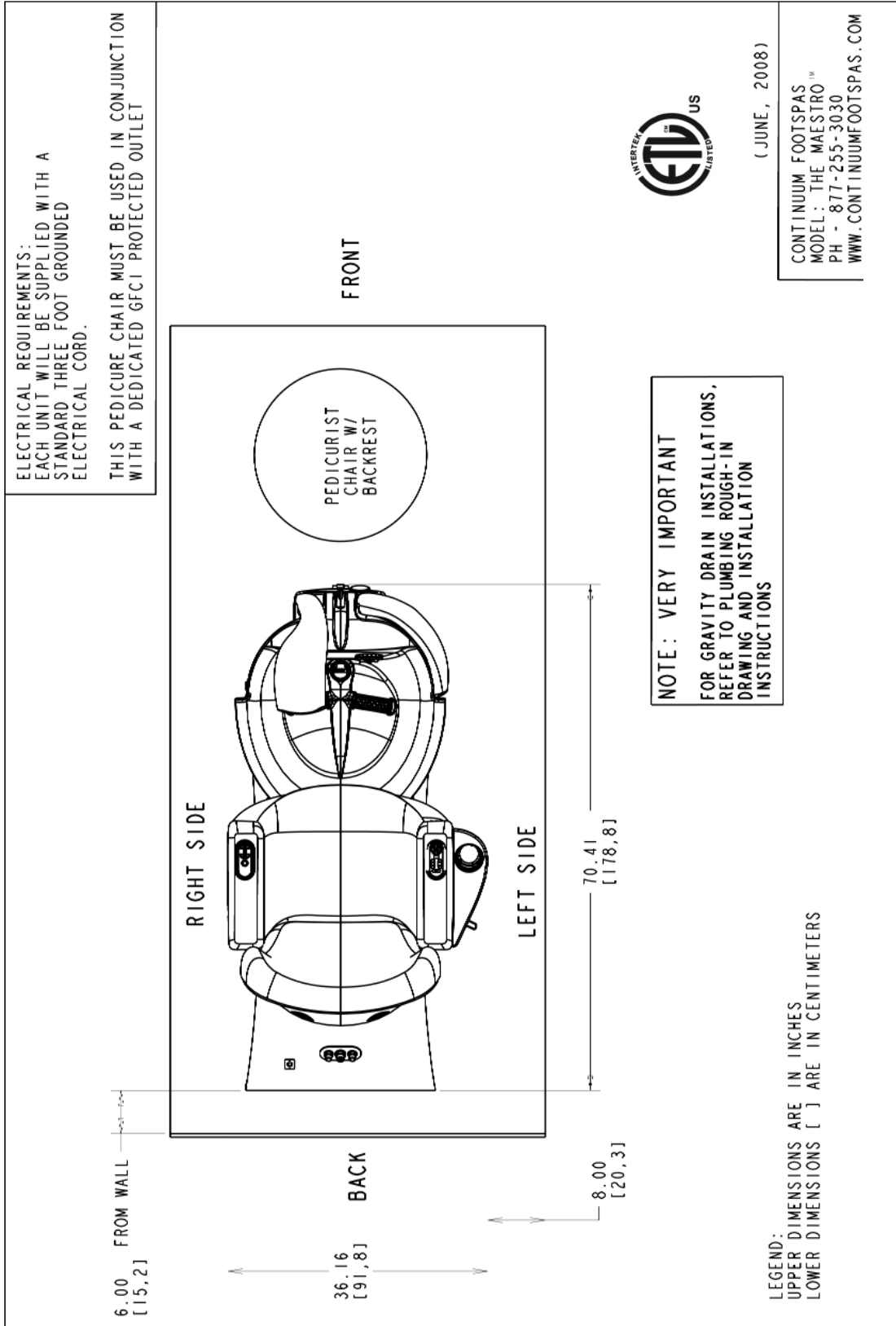
Technician's chair: Base: 24" diameter (61 cm) Height range: 15.5" to 20" (39 cm to 51 cm) Net weight: 15 lbs (6.80 kg)

Accessory Cart: 25" L (64 cm) x 18" W (46 cm) x 23" H (58 cm) Net Weight: 33 lbs (14.9 kg)

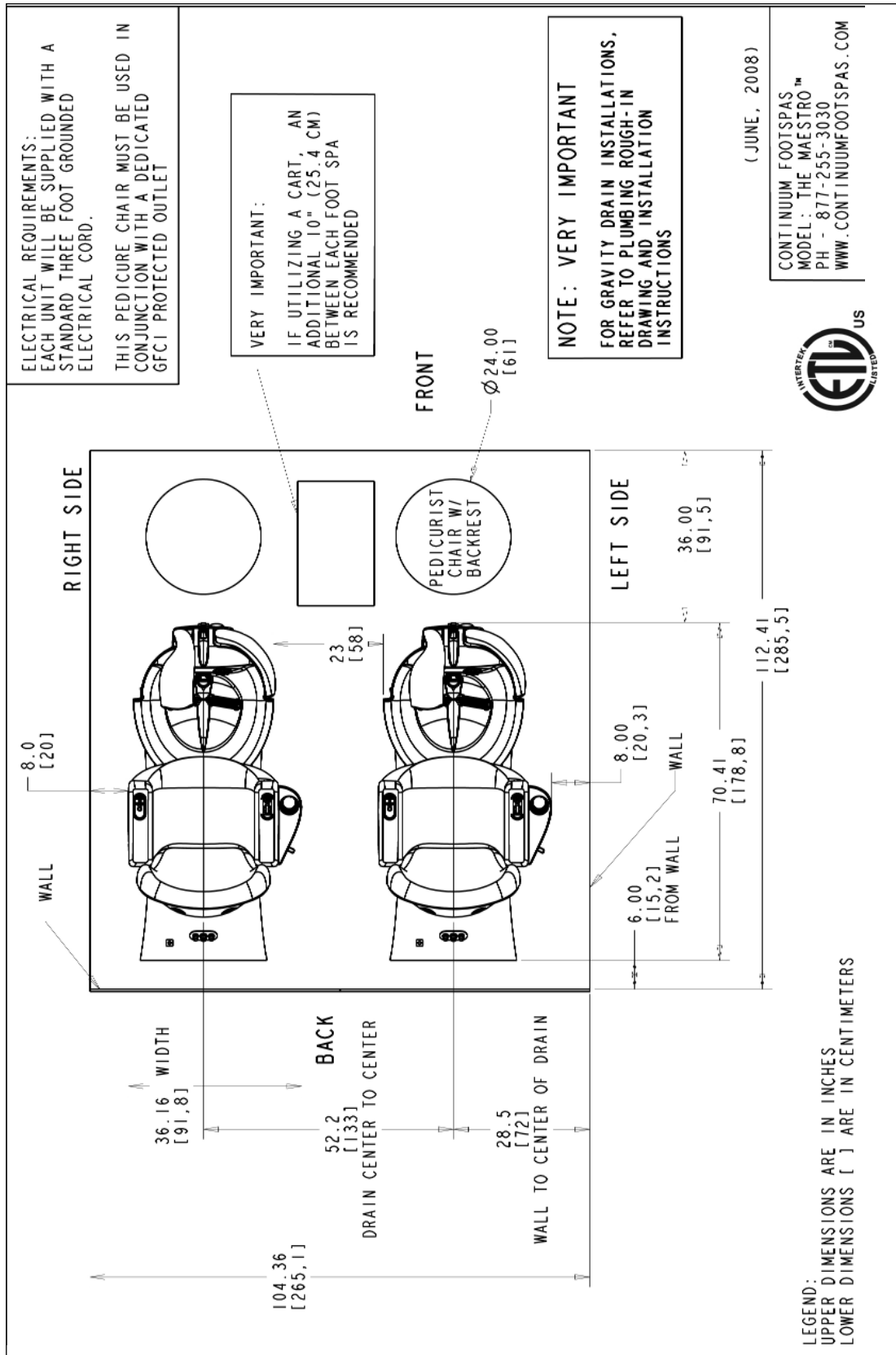
**Note:** Due to continuous improvements, all specifications are subject to change without notice. All dimensions and weights are approximate.

# MAESTRO™ PEDICURE SPA

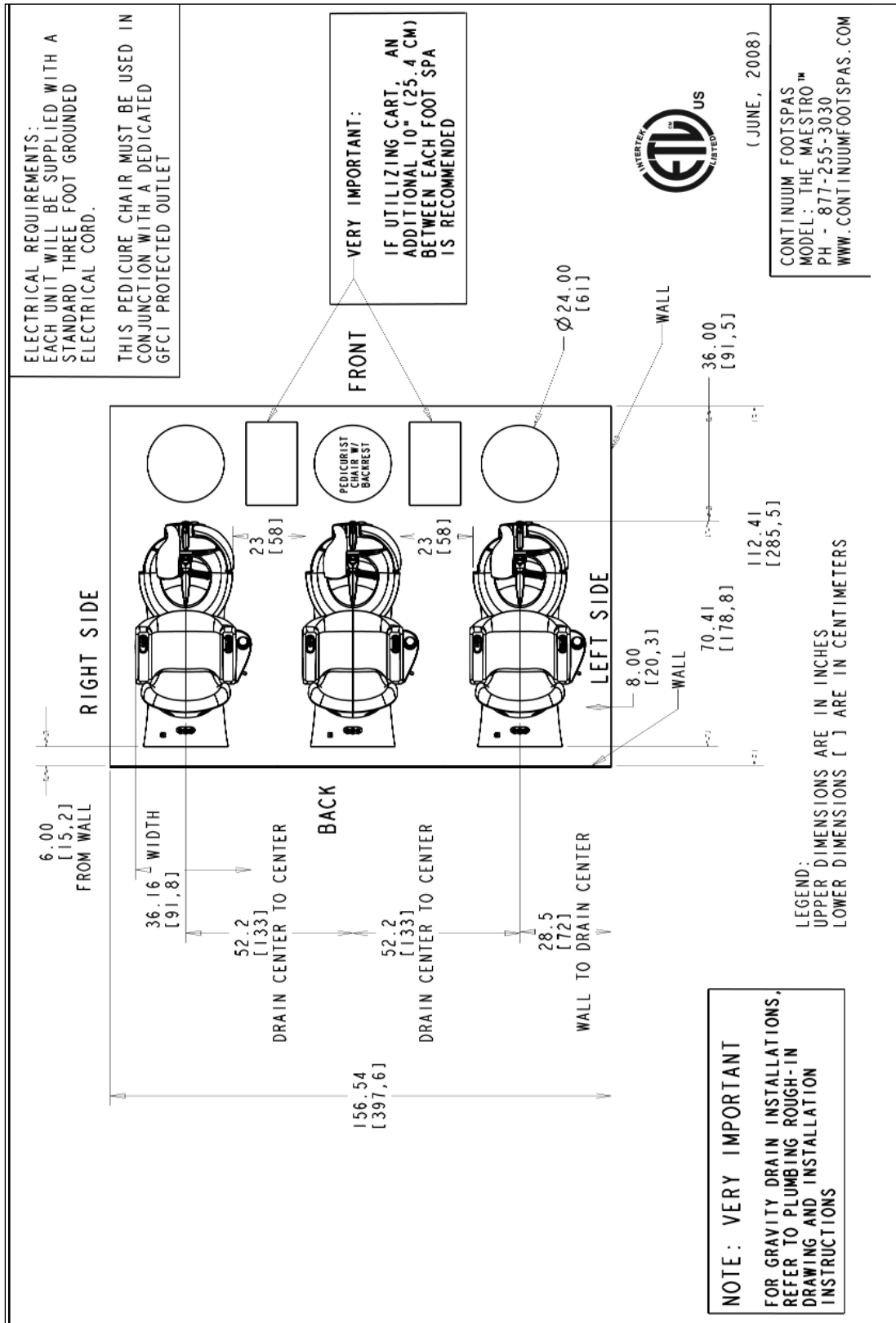
## Installation Drawings



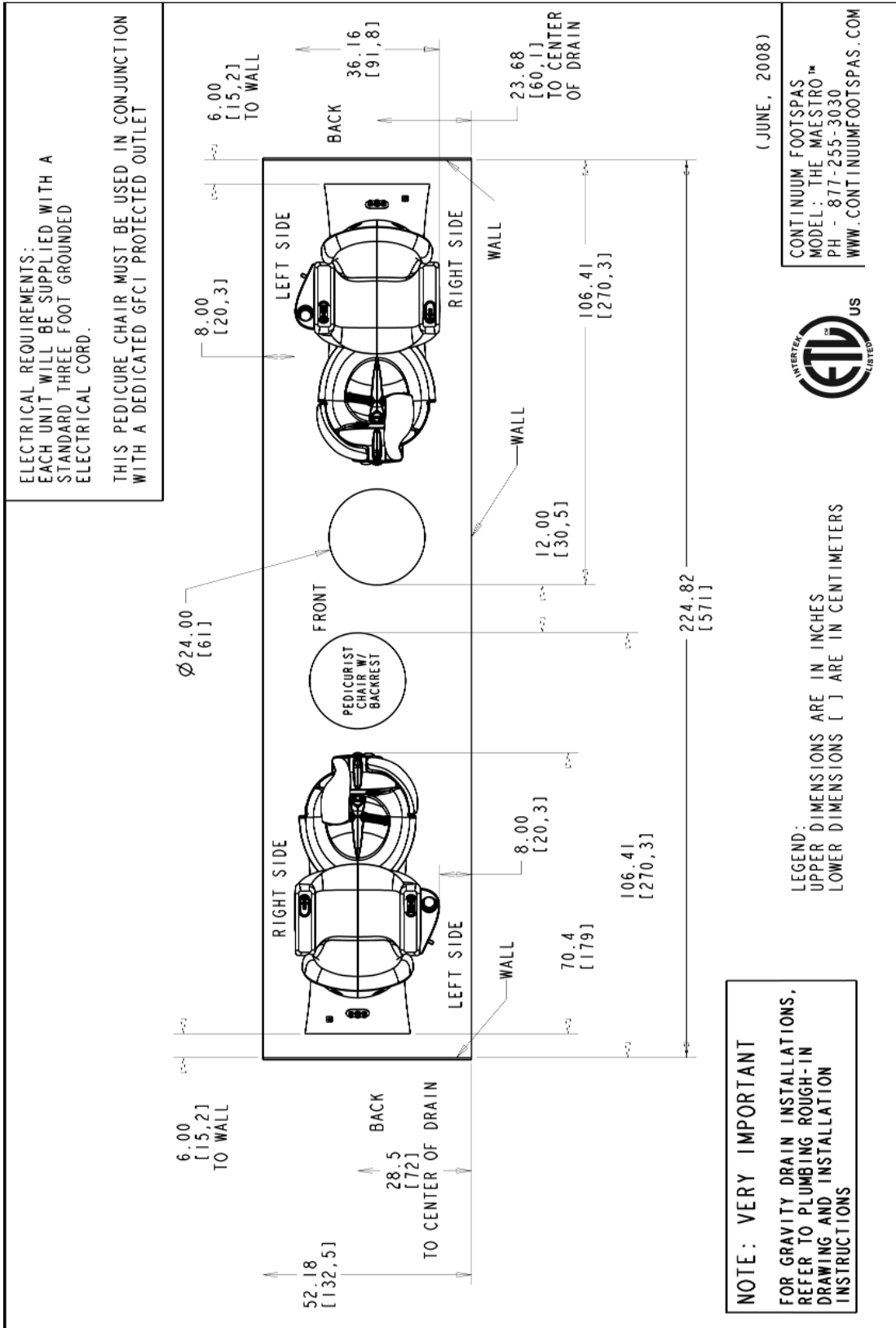
# MAESTRO™ PEDICURE SPA



# MAESTRO™ PEDICURE SPA



# MAESTRO™ PEDICURE SPA



# MAESTRO™ PEDICURE SPA

