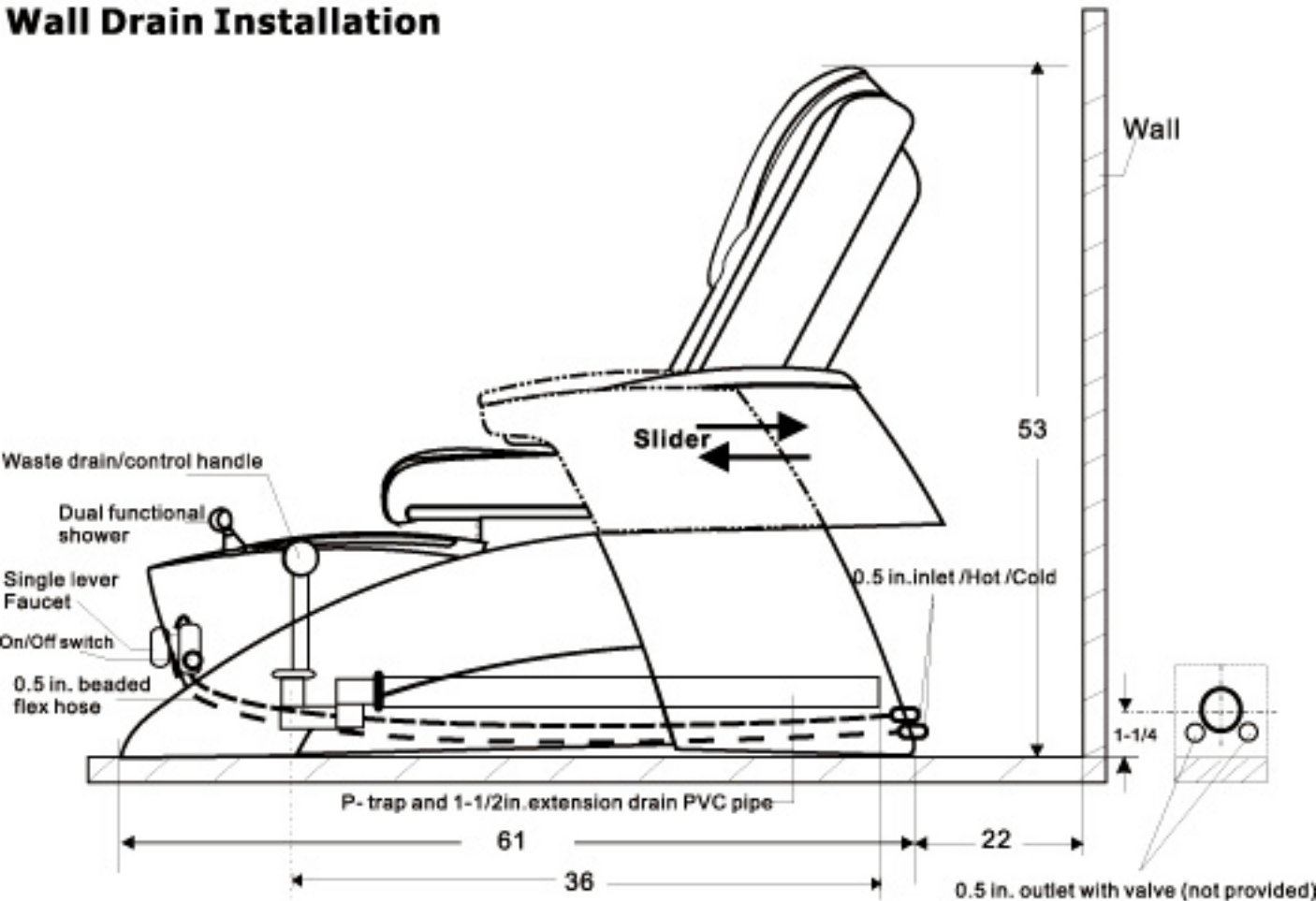


# Wall Drain Installation



The Manufacturer strongly recommended installing vacuum breaker (NL - N9 or N9) by licensed plumber

